

Flexible Range Indoor Detector

FlipX series

PROFESSIONAL MODELS

	Wide/Narrow area Flip lens	PIR	Microwave
FLX-P-ST	✓	✓	
FLX-P-DT-X5	✓	✓	✓ (10,525 GHz)
FLX-P-DT-X8 *1	✓	✓	✓ (10,587 GHz)
FLX-P-DT-X9 *2	✓	✓	✓ (9,425 GHz)

*1 Not certified to UL

*2 Not certified to UL, INCERT and EN 50131

<< Contents >>

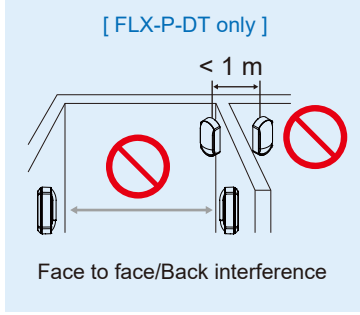
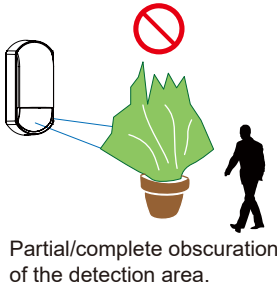
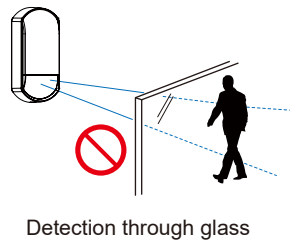
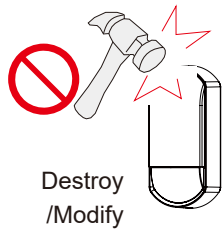
Before installation	
- Manufacturer's statement	Page 2
- Parts identification	3
1 Installation	
Disassemble	3
	4, 5, 6
Assemble and connect	7
2 Settings	
Wide/Narrow setting	8
Jumper pin settings	9
PEU settings	10
3 Checking	
11	
Others	
- Specifications	12
- Dimensions	13
- Detection area	13
- Angle adjustment <i>with bracket CW-G2</i>	14
- Compliance	15

Before installation

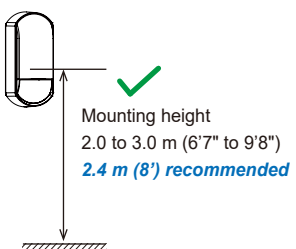
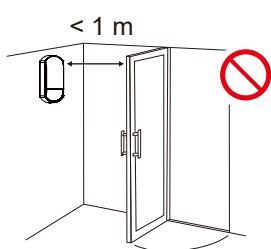
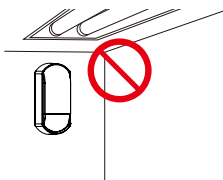
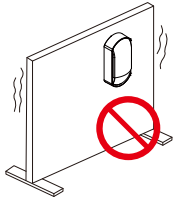
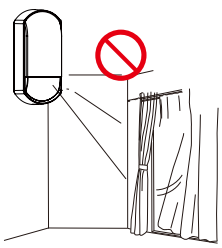
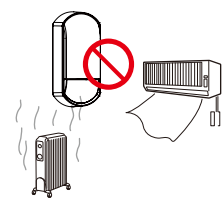
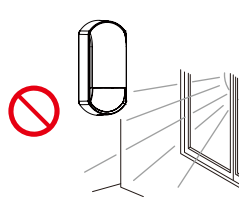
- Manufacturer's statement

Symbol	Meaning	Symbol	Meaning
	Failure to follow the instructions provided with this indication and improper handling may cause death or serious injury.		Check mark indicates recommendation.
	Failure to follow the instructions provided with this indication and improper handling may cause injury and/or property damage.		Prohibition sign indicates prohibition.
		NOTE	Special attention is required to the section of this symbol.

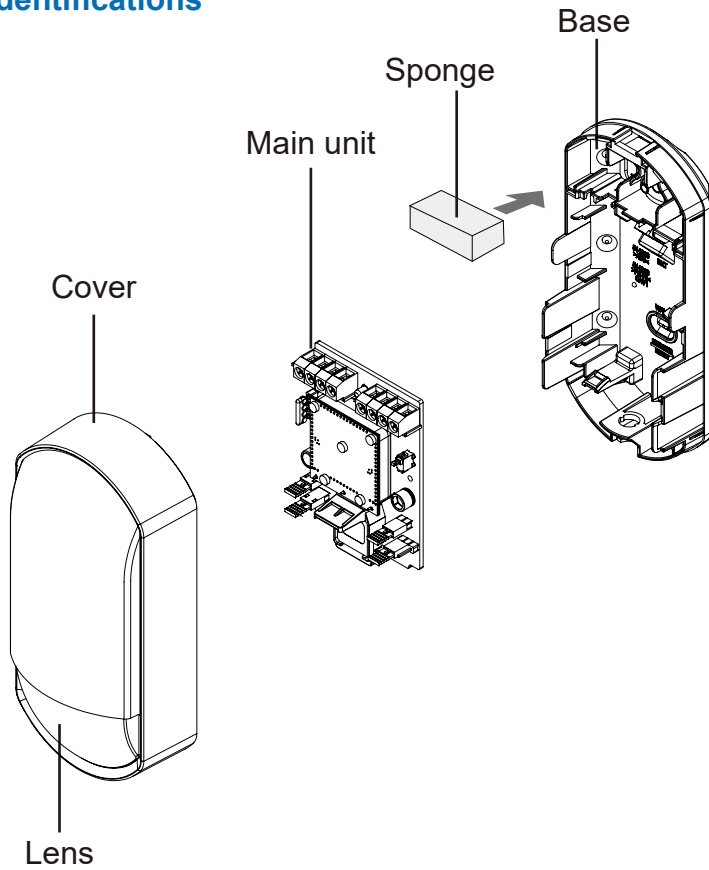
Warning



Caution



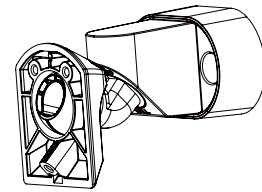
- Parts identifications



Option

CW-G2 *

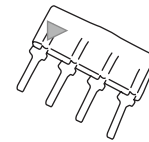
Bracket for wall/ceiling mount



- Mounting screw x 2
- Joint screw x 3
- Fixing screw x 2

PEU **

Plug-in EOL Unit



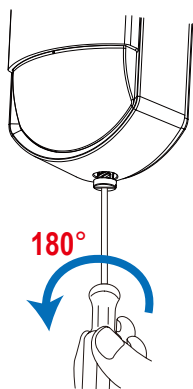
* Not certified to SBSC.

** Not evaluated by UL

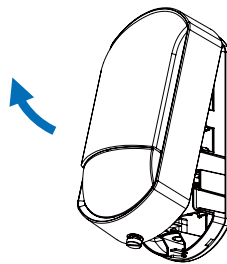
1 Installation

1-1. Disassemble

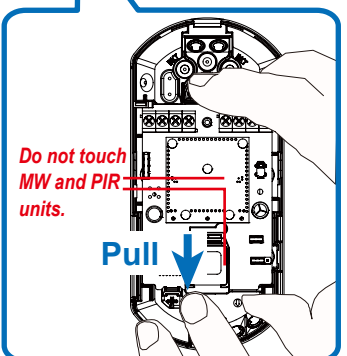
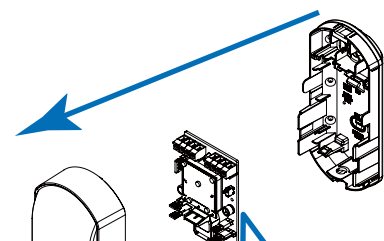
1 Unlock the cover



2 Open the cover



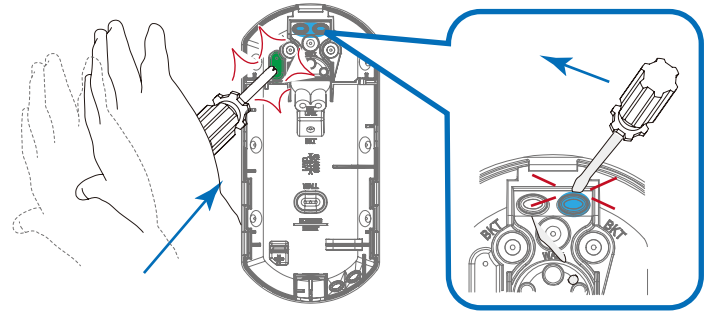
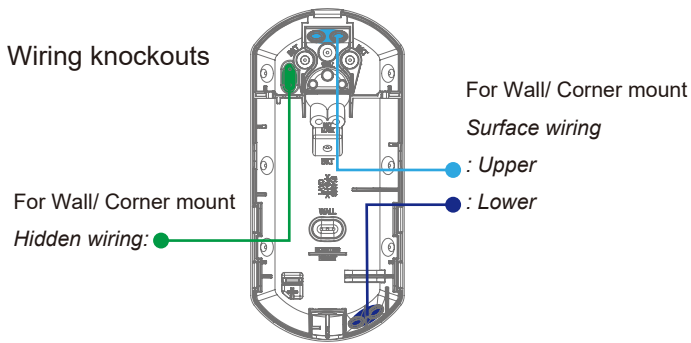
3 Remove the main unit



1-2. Wall mount **without bracket**

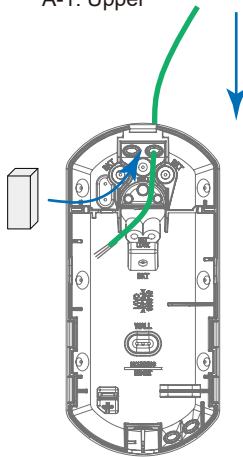
1 Wire through the base

How to break the knockouts

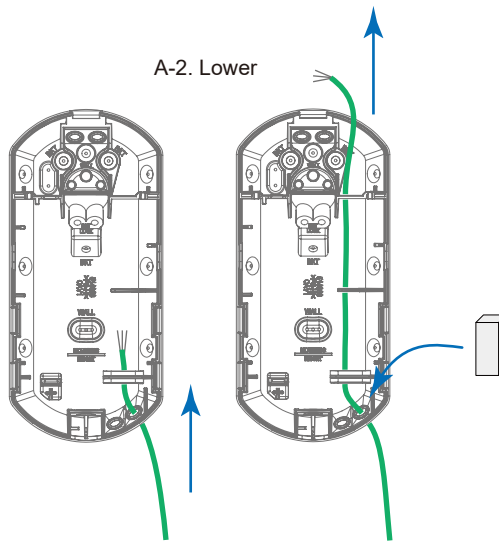


A. Surface wiring

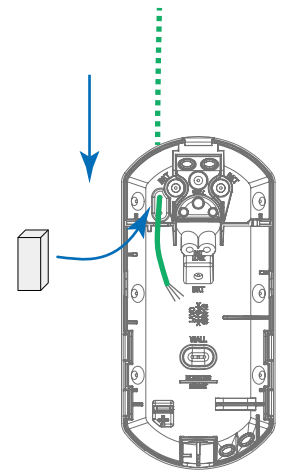
A-1. Upper



A-2. Lower

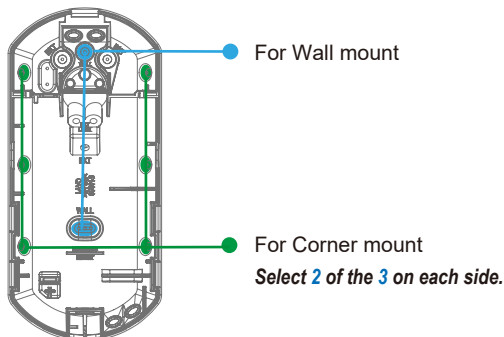


B. Hidden wiring

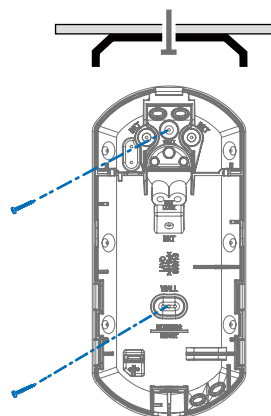


2 Mount the base

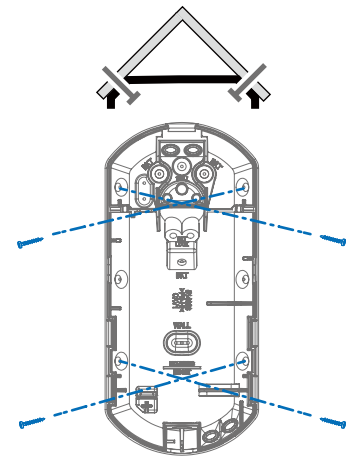
Mounting holes



a. Wall mount



b. Corner mount

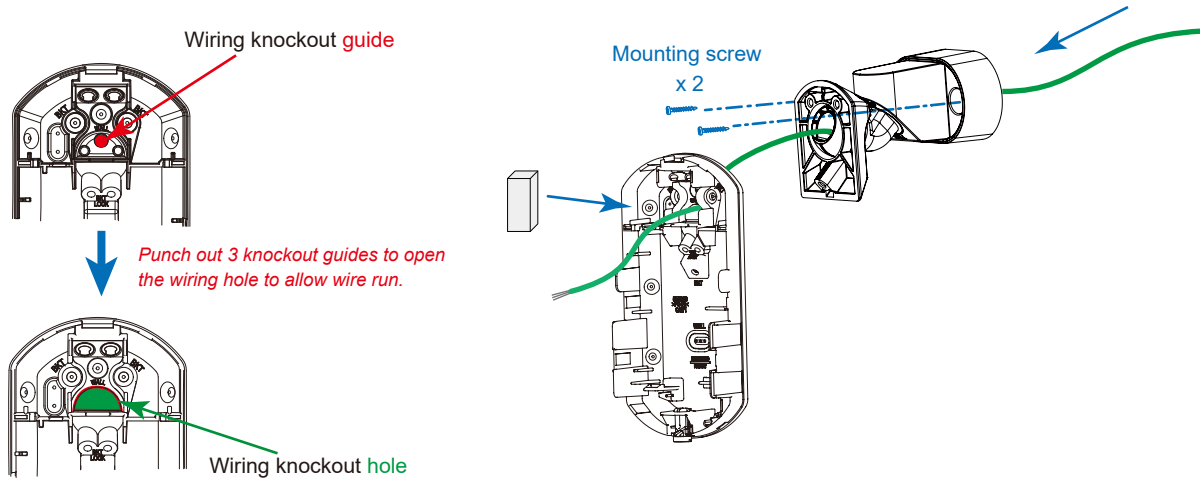


NOTE

Mounting screws are not included.
Φ 3 mm screws are recommended.

1-3. Wall mount with bracket

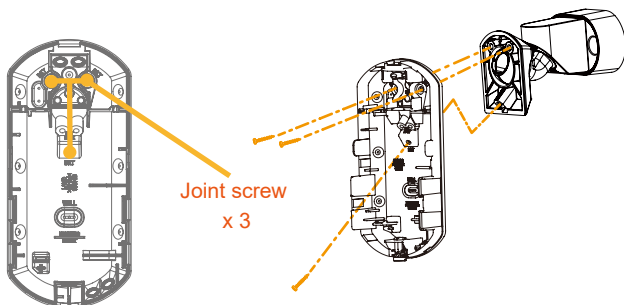
1 Wire and mount on the wall



NOTE

See page 4 for how to break the knockouts.

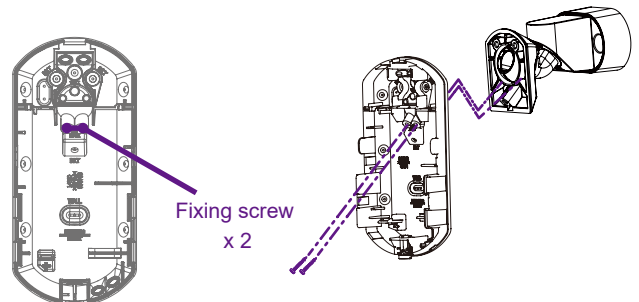
2 Join the base on the bracket



NOTE

Adjust the detection direction while jointing.
Confirming with a walk test is required.
--> Refer to "3-1. Walk test"

3 Fix the base with the fixing screws (optional)



NOTE

2 fixing screws are required for the Grade 2 * and higher grade installation.

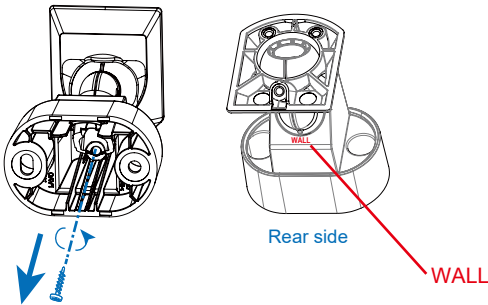
* Not evaluated by UL.

The bracket is basically jointed using 3 holes and 3 joint screws. Also use 2 additional fixing screws if stronger support is required.

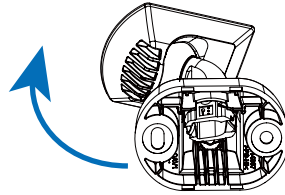
1-4. Ceiling mount with bracket

How to change the bracket to the ceiling mounting

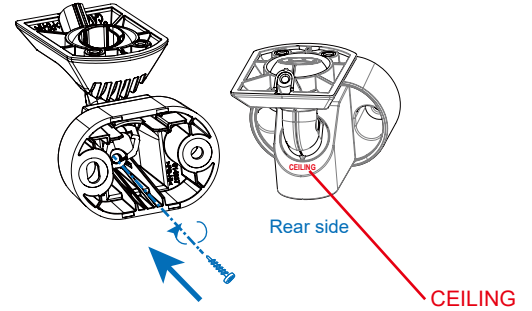
[1] Loosen the fixing screw.



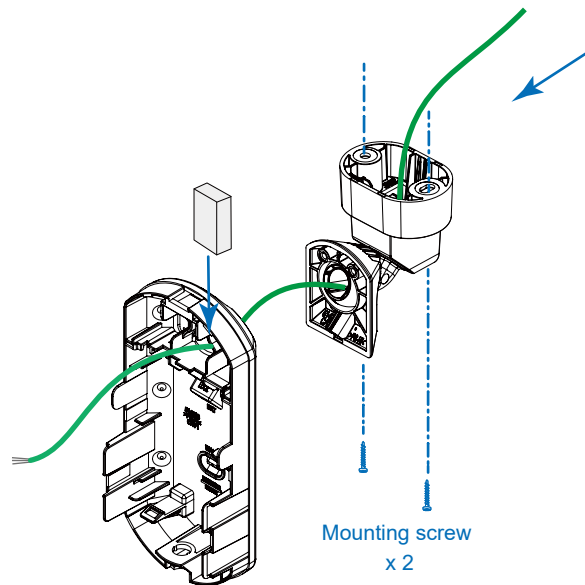
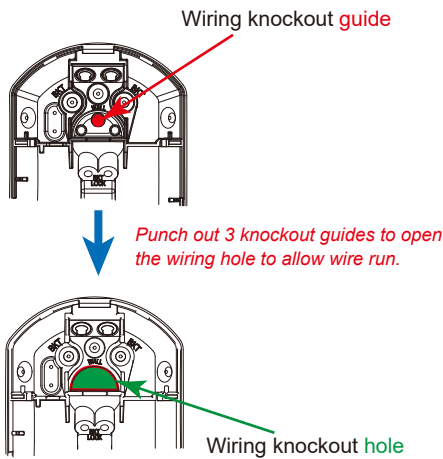
[2] Rotate the body.



[3] Tighten the fixing screw.



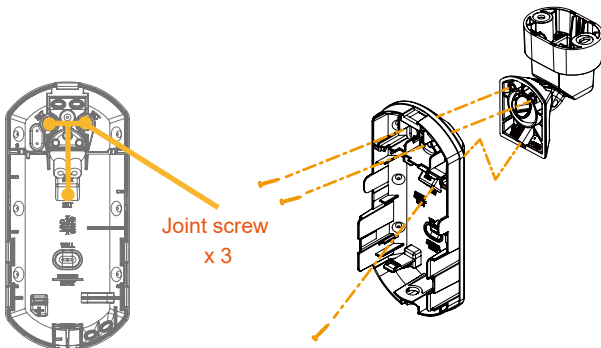
1 Wire and mount on the ceiling



NOTE

See page 4 for how to break the knockouts.

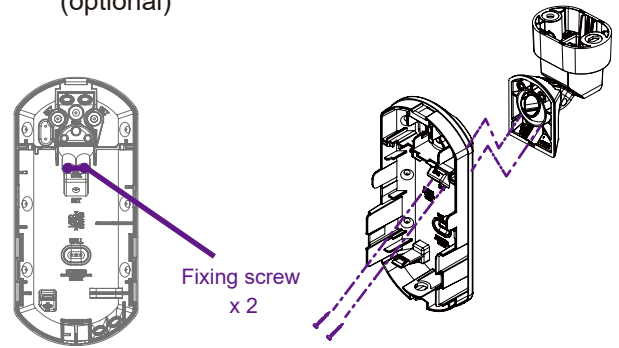
2 Join the base on the bracket



NOTE

Adjust the detection direction while jointing.
Confirming with a walk test is required.
--> Refer to "3-1. Walk test"

3 Fix the base with the fixing screws (optional)



The bracket is basically jointed using 3 holes and 3 joint screws. Also use 2 additional fixing screws if stronger support is required.

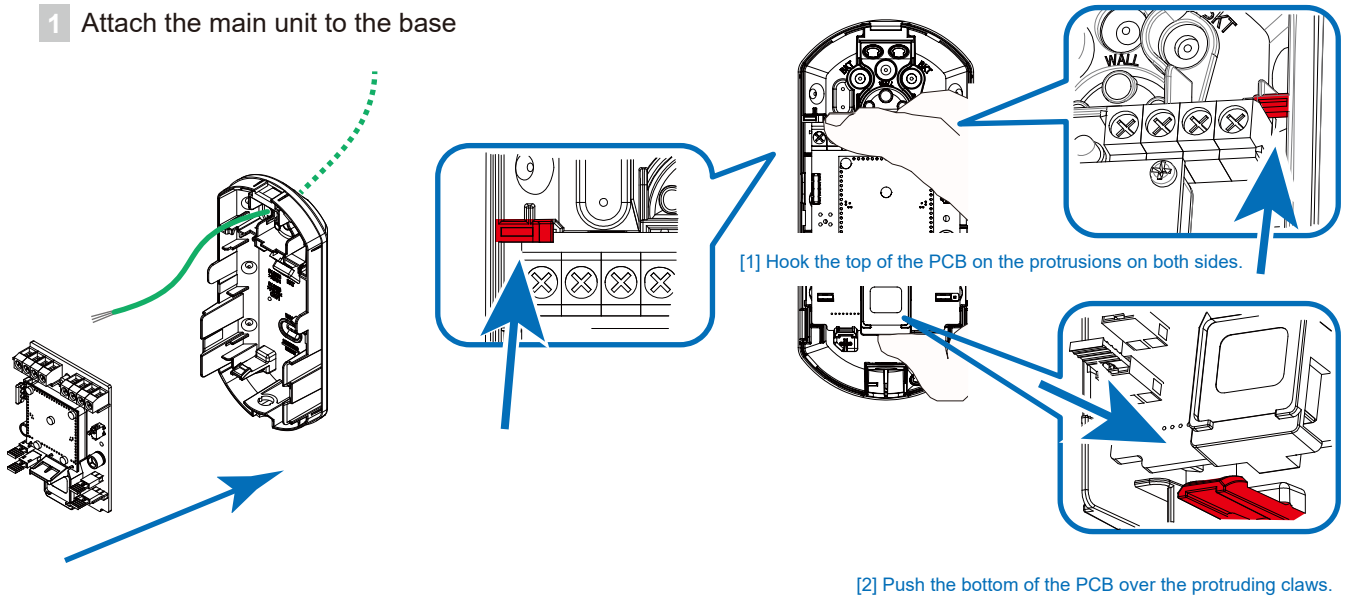
NOTE

2 fixing screws are required for the Grade 2 * and higher grade installation.

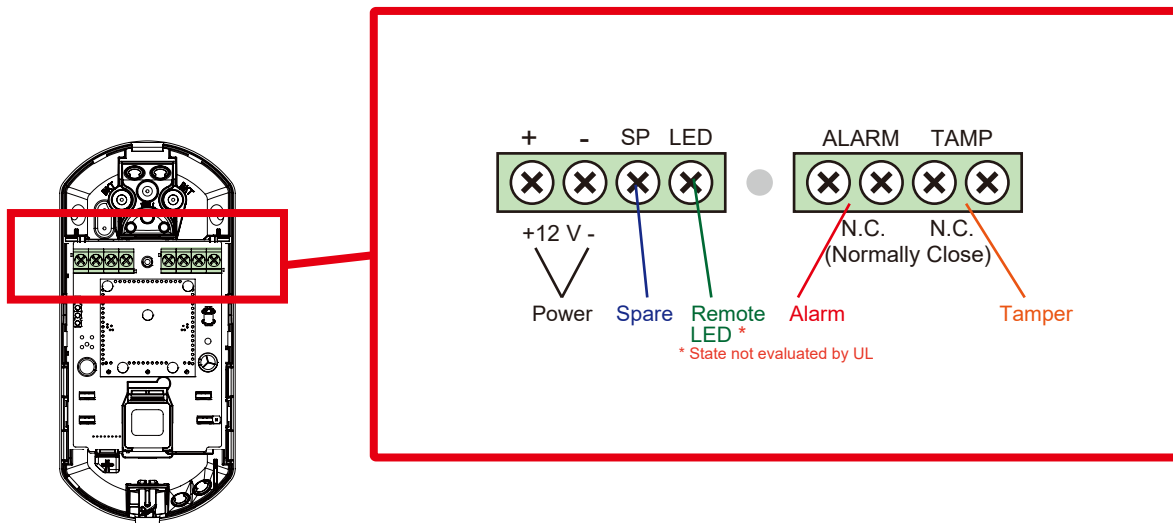
* Not evaluated by UL.

1-5. Assemble and connect

1 Attach the main unit to the base



2 Connect wires to the terminal



Power cable length

The power cable should be limited to the following length.

FLX-P-ST

FLX-P-DT

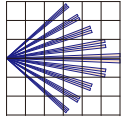
WIRE GAUGE	12 V DC	14 V DC	WIRE GAUGE	12 V DC	14 V DC
AWG 22 (0.33 mm ²)	520 m (1,710 ft.)	1,130 m (3,718 ft.)	AWG 22 (0.33 mm ²)	410 m (1,350 ft.)	890 m (2,920 ft.)
AWG 20 (0.52 mm ²)	820 m (2,690 ft.)	1,790 m (5,870 ft.)	AWG 20 (0.52 mm ²)	650 m (2,130 ft.)	1,400 m (4,590 ft.)
AWG 18 (0.83 mm ²)	1,320 m (4,330 ft.)	2,850 m (9,350 ft.)	AWG 18 (0.83 mm ²)	1,030 m (3,380 ft.)	2,240 m (7,350 ft.)

2 Settings

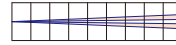
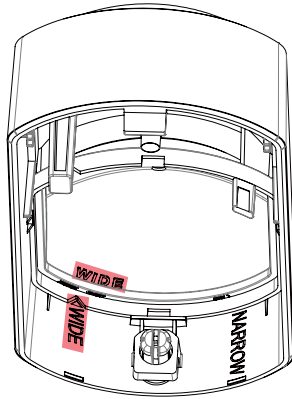
2-1. Wide/Narrow setting

- 1 Set the Flip lens to "Wide" or "Narrow"

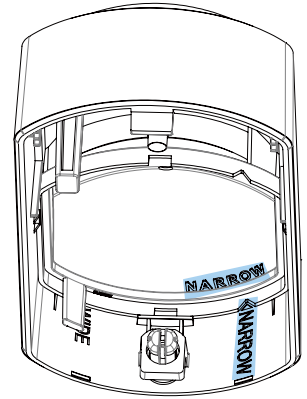
→ Go to 2-2 on 9 to skip 2-1 when using the default "Wide" setting.



WIDE
Default



NARROW

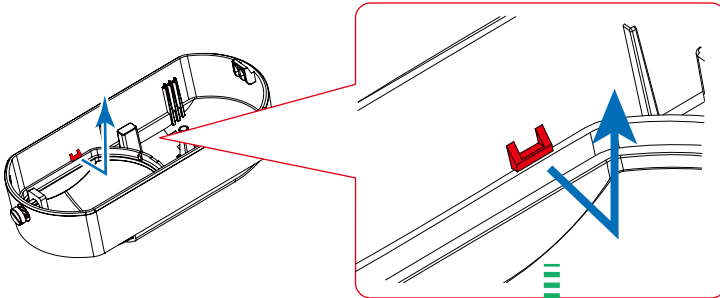


NOTE

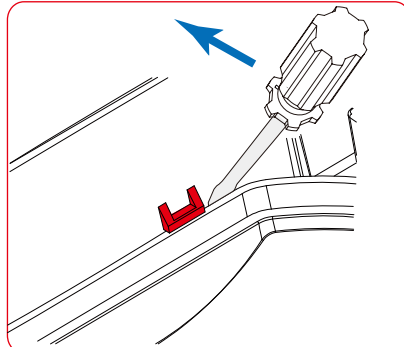
Install the lens so that the letters on the cover and on the lens match your intention.

How to remove the lens

Get over the rib, then pull up the lens.

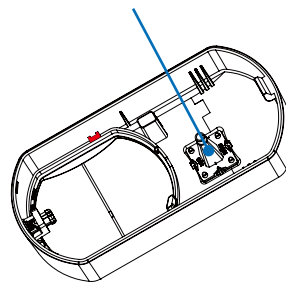


If it is difficult to get over, use a flathead screwdriver.



Caution

- Be careful not to damage the light path of the LED.
- Also, be careful not to allow the light path to pinch the wiring when closing the cover.

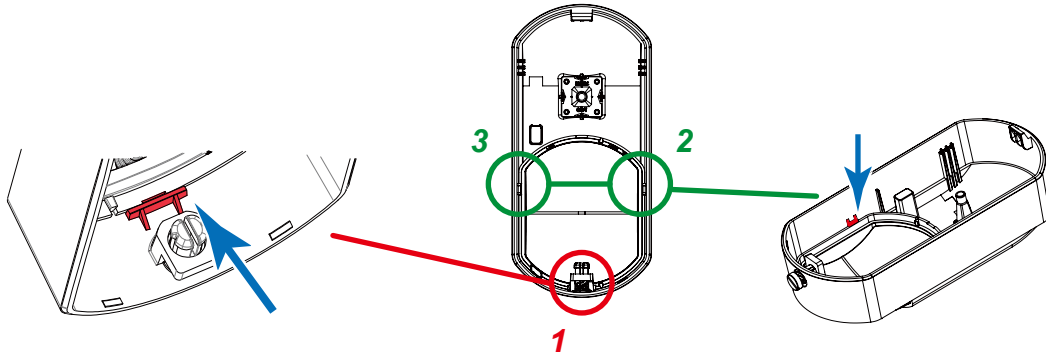


Caution

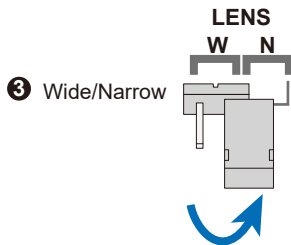
- Be careful not to damage the lens with a screwdriver.

How to install the lens

Push the lens firmly at 3 points in **numerical order**.



2 Set the jumper pin to "Wide" or "Narrow"



⚠ Caution

- The jumper pin must be "Narrow", when the lens is set to "Narrow".

NOTE

- Default setting is "Wide".
- When "Narrow" is selected, MW detection will be disabled.

2-2. Jumper pin settings

3 Wide/Narrow

1 LED

ON: LED is activated always.
OFF: LED can be controlled through the Remote LED terminal.
[Open; OFF 0 V; ON]

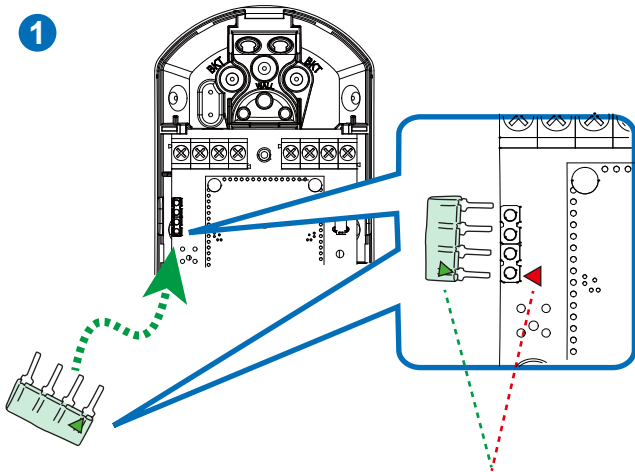
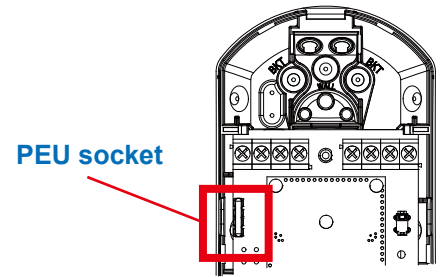
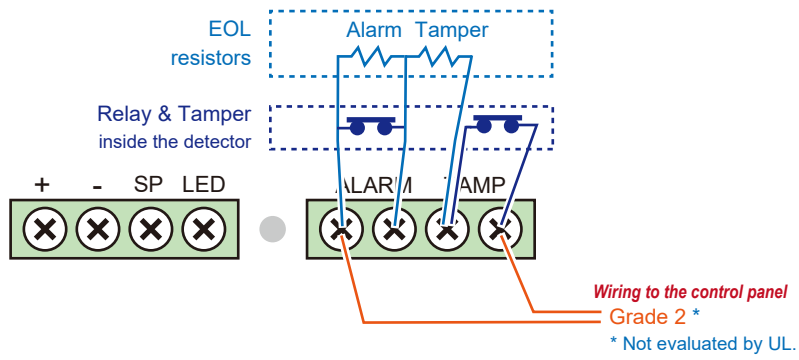
4 MW sensitivity
[FLX-P-DT only]

2 PIR sensitivity

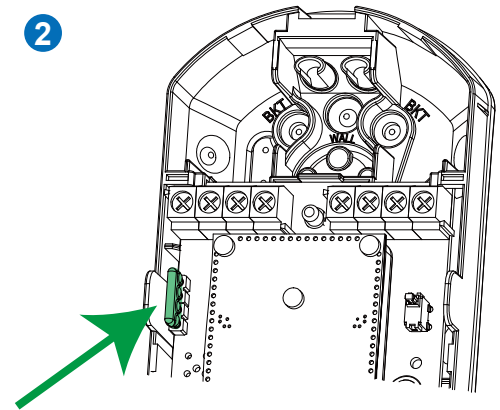
H: High sensitivity
M: Medium sensitivity
L: Low sensitivity

Illustrations show the default position.

2-3. PEU settings



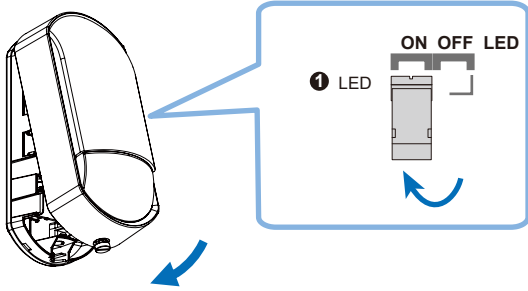
NOTE
Align both triangle marks.



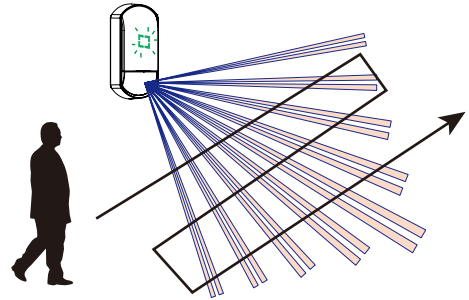
3 Checking

3-1. Walk test

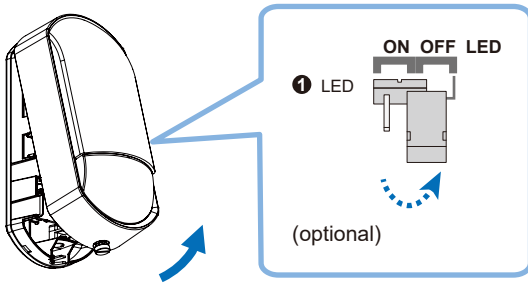
1 Confirm that the LED pin is "ON", then close the cover.



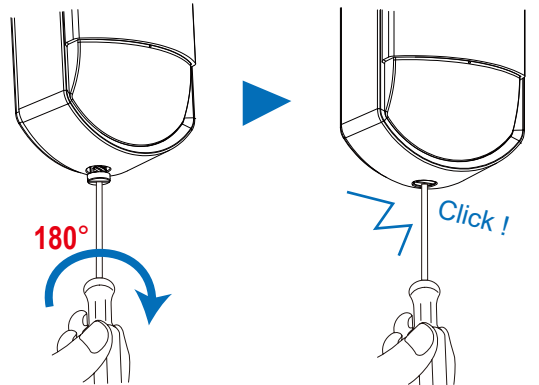
2 Walk in the detection area to check the detecting performance via LED indication.



3 Return the LED pin to "OFF" after the walk test, if necessary.



4 Lock the cover



NOTE

Conduct a walk test at least once a year.

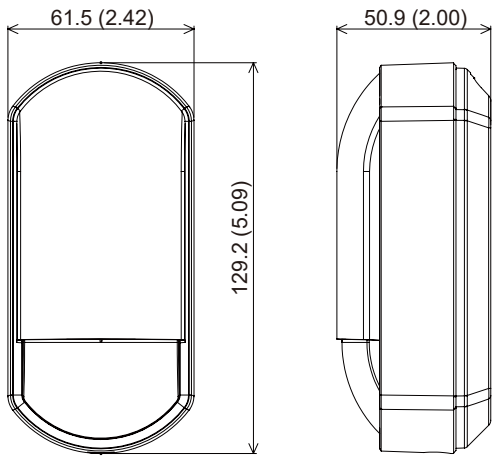
- Specifications

Model	FLX-P-ST	FLX-P-DT-X5/-X8/-X9
Installation		
Detection method	Passive infrared	Passive infrared and Microwave
Coverage	Wide: 15 m (50 ft.) 85°/ Narrow: 24 m (80 ft.) 5° (No MW detection at "Narrow" setting)	
Detection zones	Wide: 78 zones/ Narrow: 18 zones	
Mounting height	2.0 to 3.0 m (6'7" to 9'8")	
Alarm period	2.0 ± 0.5 s	
Warm-up period	Approx. 60 s (LED blinks)	
LED indicator	Switchable ON/OFF Green: [1] Warm-up [2] Alarm	
Electrical		
Power input	9.5 to 16 V DC UL *	
Current draw	8 mA (normal) 11 mA (max.) at 12 V DC	11 mA (normal) 14 mA (max.) at 12 V DC
Relay output	Alarm	N.C. 24 V DC 0.1 A max. (Resistive load)
	Tamper	N.C. 24 V DC 0.1 A max. (Resistive load) (Open when the cover is removed.)
Remote LED	Terminal: open = OFF 0 V = ON	
Environmental		
Operation temperature	-20°C to +50°C (-4°F to +122°F)	-20°C to +45°C (-4°F to +113°F)
Temperature compensation	Digital (SMDA)	
Environmental humidity	95% max.	
RF interference	No alarm 10 V/m	
Mechanical		
Dimension	H: 129.2 x W: 61.5 x D: 50.9 mm (H: 5.09" x W: 2.42" x D: 2.00")	
Weight	Approx. 95 g (3.35 oz) (with Bracket : Approx. 125 g (4.41 oz))	Approx. 110 g (3.88 oz) (with Bracket : Approx. 140 g (4.94 oz))
Mounting	Wall, Corner (Indoor) (with Bracket : Wall, Corner, Ceiling)	

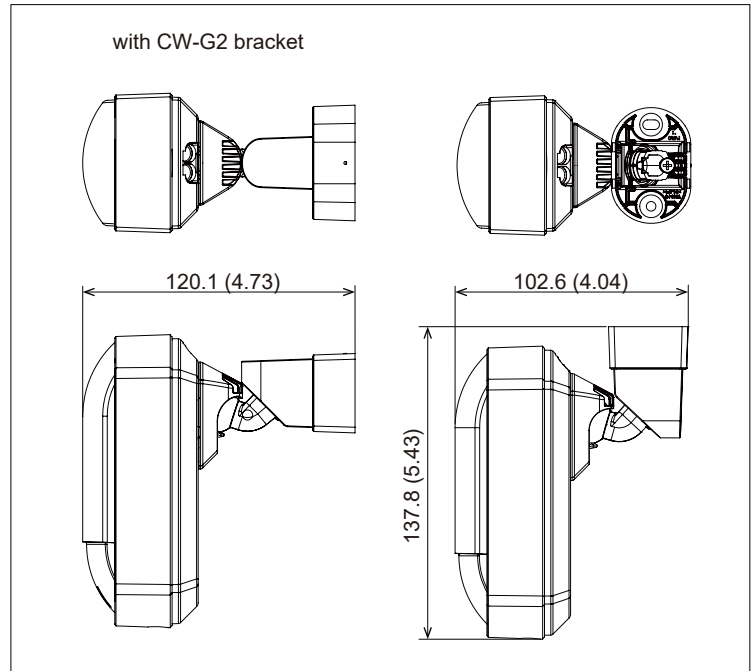
- Specifications and designs are subject to change without prior notice.
- These units are designed to detect an intruder and activate an alarm control panel. Being only a part of a complete system, we cannot accept responsibility for any damages or other consequences resulting from an intrusion.

UL * Shall be powered via a UL listed burglar alarm class 2 output power limited power supply that has a min standby power of 4 hrs.

- Dimensions

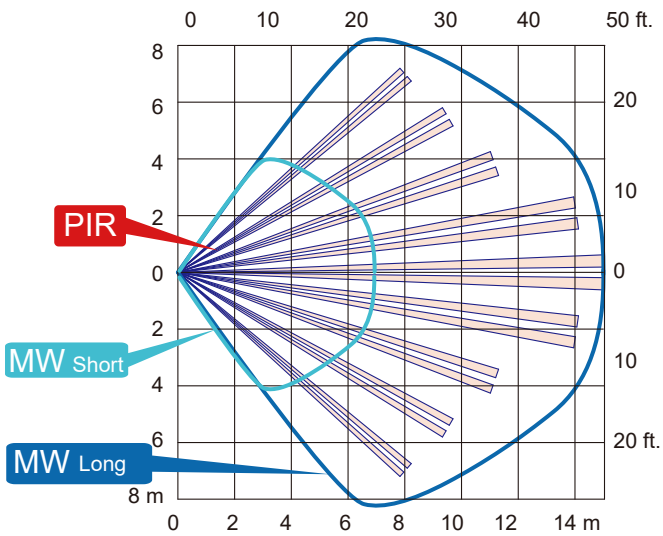


Unit: mm (inch)

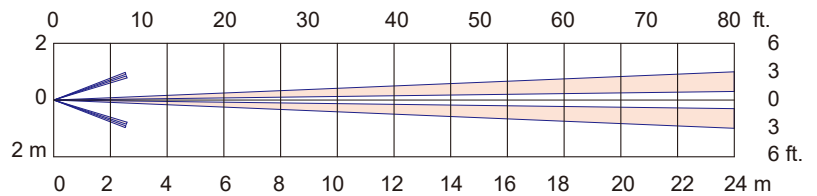


- Detection area

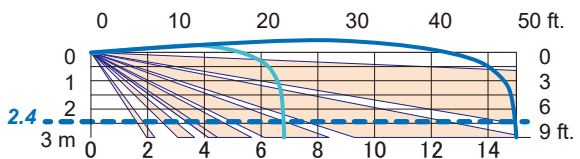
Wide - Top view -



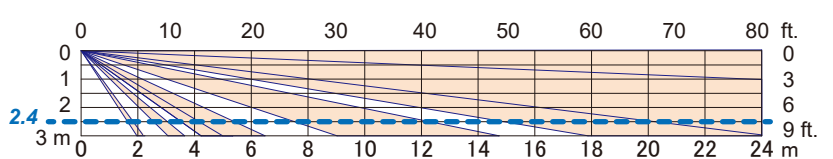
Narrow - Top view -



Wide - Side view -



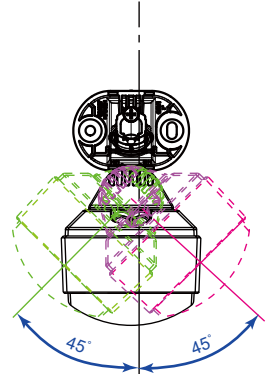
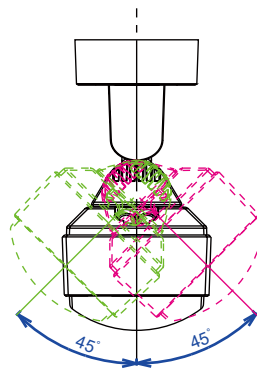
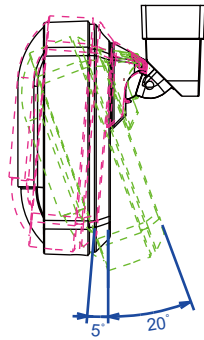
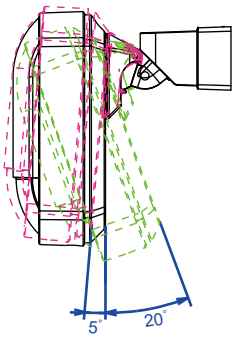
Narrow - Side view -



NOTE

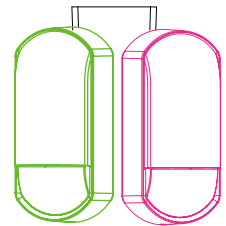
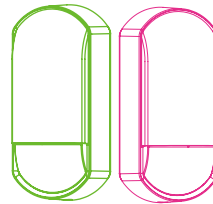
- The * 2.4 m dotted line indicates the recommended mounting height.
- When "Narrow" is selected at the jumper pin, MW detection will be stopped.

- Angle adjustment with bracket CW-G2



NOTE

* If the detector cover does not reach the ceiling, it can be swung up to +5°.



- Compliance

RE Directive 2014/53/EU

- OPTEX declares that FLX-P-DT-X5, FLX-P-DT-X8, and FLX-P-DT-X9 comply with RE Directive 2014/53/EU. Doc documents can be found on our website; www.optex.net
- Microwave emission Frequency and Power
 - FLX-P-DT-X5: 10.525 GHz 15.78 mW e.i.r.p
 - FLX-P-DT-X8: 10.587 GHz 8.93 mW e.i.r.p
 - FLX-P-DT-X9: 9.425 GHz 14.50 mW e.i.r.p
- The following list indicates the areas of intended use of the equipment and any known restrictions. For countries not included in this list, please consult the responsible Spectrum Management Agency.
 - 10.525 GHz: Belgium, Denmark, Finland, Germany, Greece, Italy, Luxembourg, The Netherlands, Spain, Sweden, Iceland, Norway, Switzerland
 - 10.587 GHz: Belgium, France, Germany, Ireland, Luxembourg, The Netherlands, United Kingdom
 - 9.425 GHz: Austria, Czechia, Estonia, Germany, Slovakia, Turkey, Russia
- FLX-P-DT-X5, FLX-P-DT-X8 and FLX-P-DT-X9 also comply with EU radiation exposure limits set forth for an uncontrolled environment. This equipment should be installed and operated with minimum distance 20 cm between the radiator & your body.

UK Radio Equipment Regulations 2017

- FLX-P-DT-X8 also comply with UK radiation exposure limits set forth for an uncontrolled environment. This equipment should be installed and operated with minimum distance 20 cm between the radiator & your body.
- Hereby, OPTEX declares that the radio equipment type FLX-P-DT-X8 is in compliance with Radio Equipment Regulations 2017. The full text of the UK declaration of conformity is available at the following internet address:www.optex.net

FCC/IC

- This device complies with Part 15 of the FCC Rules. Operation is subject to the following two conditions:
 - (1) This device may not cause harmful interference, and
 - (2) This device must accept any interference received, including interference that may cause undesired operation.
- This device contains licence-exempt transmitter(s)/receiver(s) that comply with Innovation, Science and Economic Development Canada's licence-exempt RSS(s). Operation is subject to the following two conditions:
 - (1) This device may not cause interference.
 - (2) This device must accept any interference, including interference that may cause undesired operation of the device

- EN 50131-1 Grades and Environmental Class; Security Grade 2, Environmental Class II
Applied Standards; EN 50131-2-2 (FLX-P-ST), EN 50131-2-4 (FLX-P-DT-X5 and FLX-P-DT-X8)
Tested and certified by Telefication
- Iarm klass 2, miljö klass II, SSF 1014
- PD6662:2017
- UL/c-UL listed (FLX-P-ST and FLX-P-DT-X5)

■ EU & UK contact information



<https://navi.optex.net/cert/contact/>



OPTEX INC./AMERICAS HQ (U.S.)
www.optexamerica.com

OPTEX (EUROPE) LTD./EMEA HQ (U.K.)
www.optex-europe.com

**OPTEX SECURITY B.V.
(The Netherlands)**
www.optex-europe.com/nl

OPTEX CO., LTD. (JAPAN)
www.optex.net

OPTEX SECURITY SAS (France)
www.optex-europe.com/fr

OPTEX SECURITY Sp.z o.o. (Poland)
www.optex-europe.com/pl

**OPTEX PINNACLE INDIA,
PVT., LTD. (India)**
www.optexpinnacle.com

OPTEX KOREA CO.,LTD. (Korea)
www.optexkorea.com

**OPTEX (DONGGUAN) CO.,LTD.
SHANGHAI OFFICE (China)**
www.optexchina.com

OPTEX (Thailand) CO., LTD. (Thailand)
www.optex.co.th

Copyright (C) 2022 OPTEX CO.,LTD.